



GENTOS

Application Note #004 (AN004-V1.2)

ZZA

[MiDAS1.0] Guideline for Oscillator Configuration & Crystal Usage

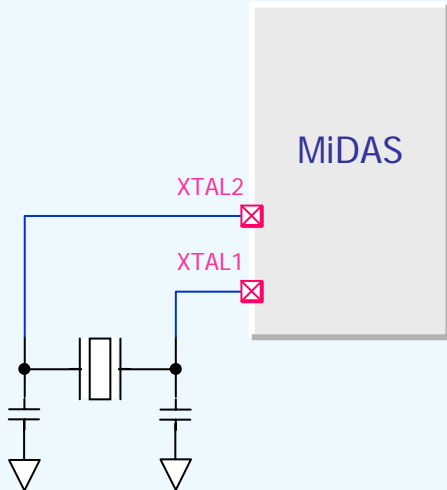
V1.2

August 2005

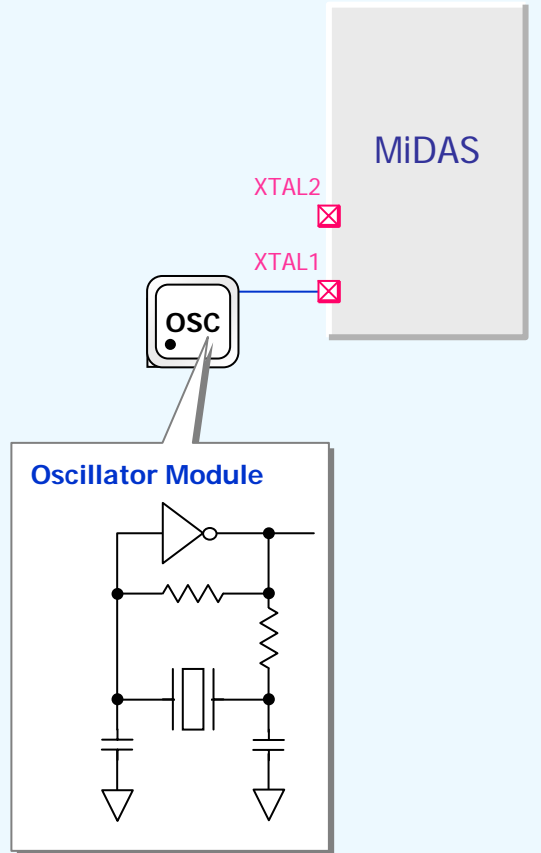
- ◆ CoreRiver Semiconductor reserves the right to make corrections, modifications, enhancements, improvements, and other changes to its products and services at any time and to discontinue any product or service without notice.
- ◆ Customers should obtain the latest relevant information before placing orders and should verify that such information is current and complete.
- ◆ The CoreRiver Semiconductor products listed in this document are intended for usage in general electronics applications. These CoreRiver Semiconductor products are neither intended nor warranted for usage in equipment that requires extraordinarily high quality and/or reliability or a malfunction or failure of which may cause loss of human life or bodily injury.

1. Guideline for Oscillator Configuration

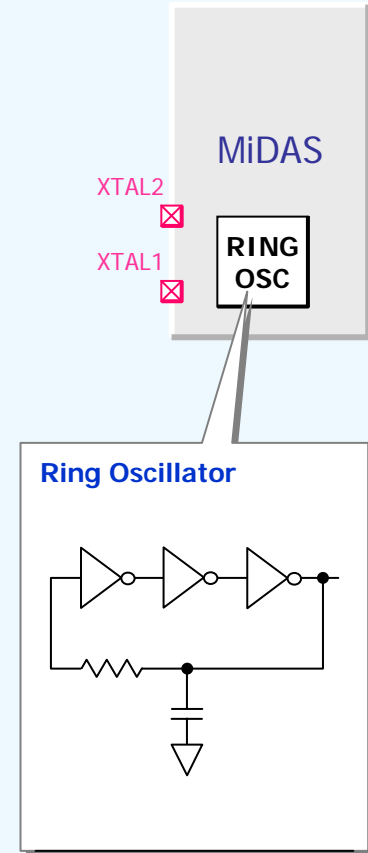
◆ Crystal Oscillator



◆ Oscillator Module



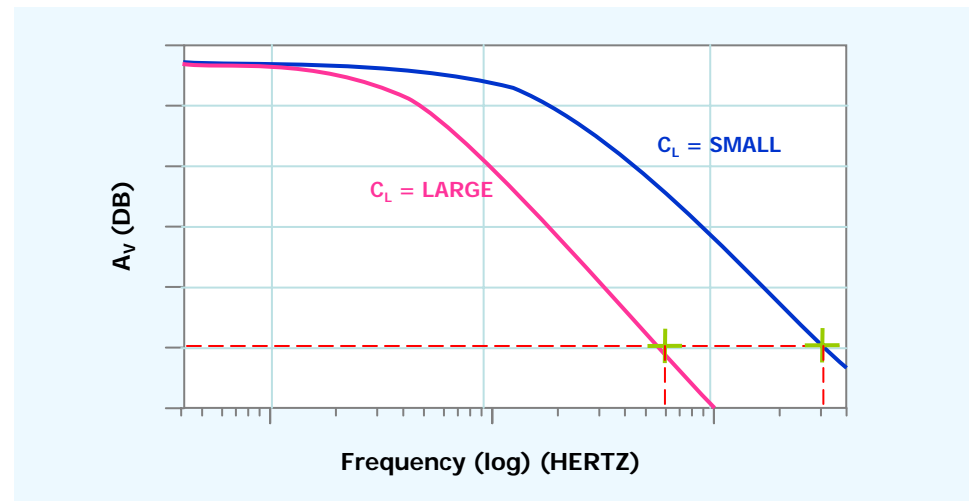
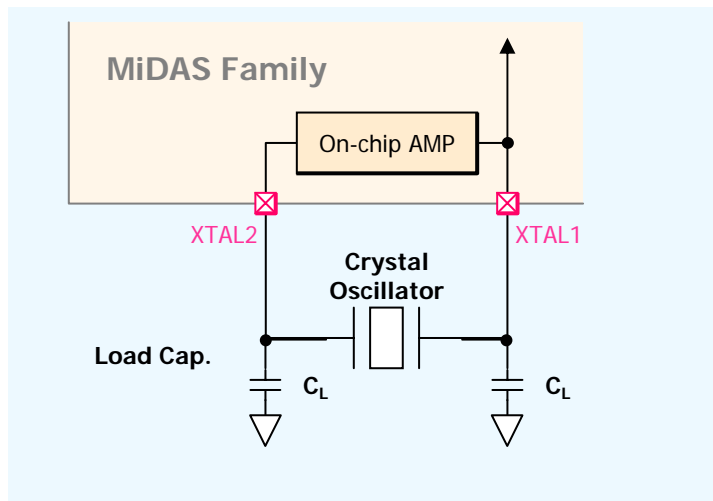
◆ Internal Ring Oscillator



2. Guideline for Crystal Usage

◆ Crystal Oscillator & Load Capacitors

◆ Graph for Load Capacitor & Frequency



◆ Recommended C_L (Load Capacitor)

($V_{DD} = 5V$)

| MiDAS1.0 Family | Crystal Oscillator [MHz] | | |
|-----------------|--------------------------|---------|---------|
| | ~ 11.0592 | 22.1184 | 30.0000 |
| Load Cap. C_L | 47pF | 20pF | 10pF |

| MiDAS1.1 Family | Crystal Oscillator [MHz] | |
|-----------------|--------------------------|---------|
| | ~ 11.0592 | 20.0000 |
| Load Cap. C_L | 47pF | 20pF |