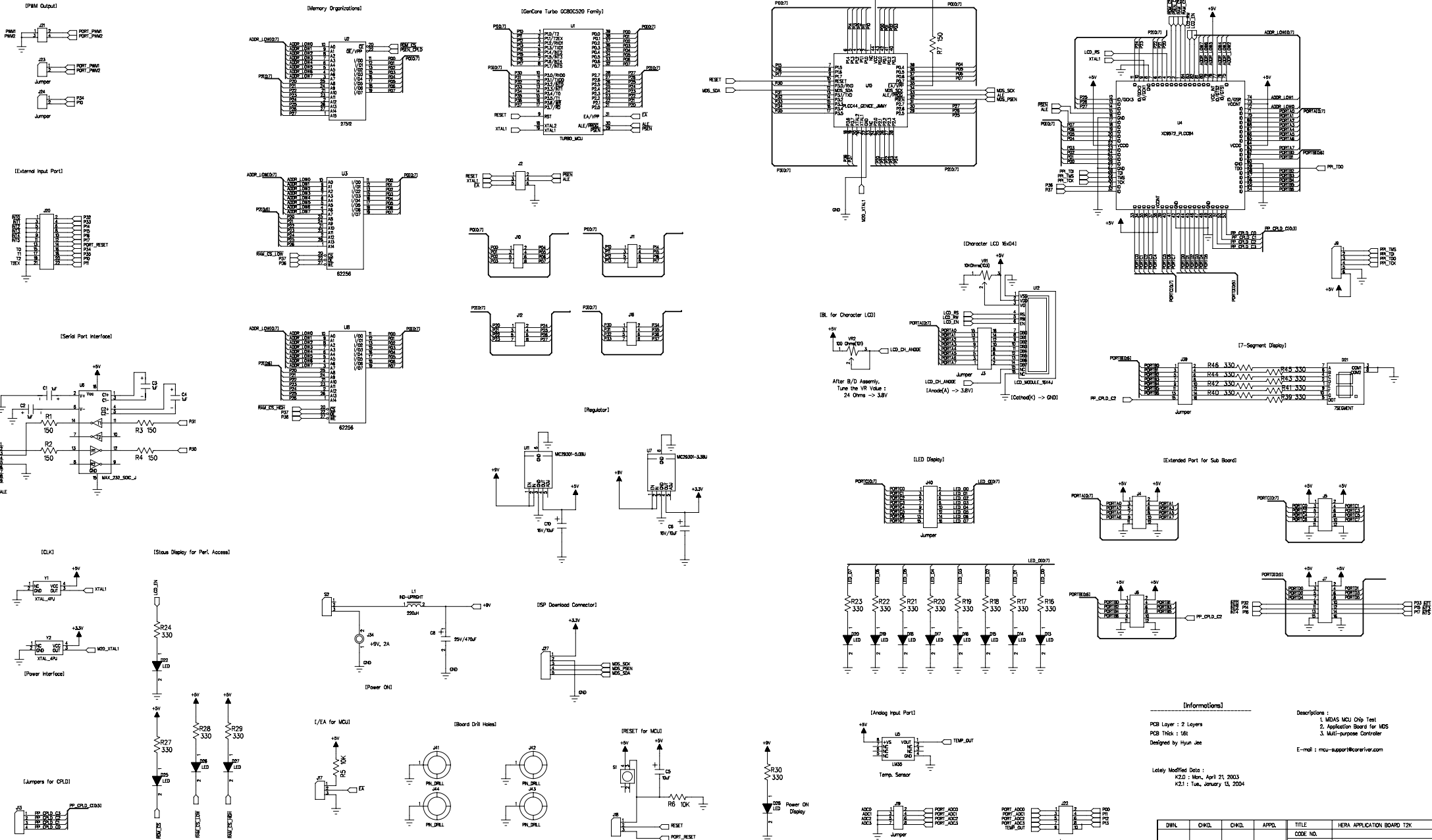


MAIN BOARD

REVISION RECORD			
LT#	ECO NO.	APPROVED	DATE



[Informations]

PCB Layer : 2 Layers
 PCB Thick : 16t
 Designed by Hyun Jee

Descriptions :
 1. MDA5 MCU Chip Test
 2. Application Board for MDS
 3. Multi-purpose Controller

E-mail : mcu-support@corriver.com

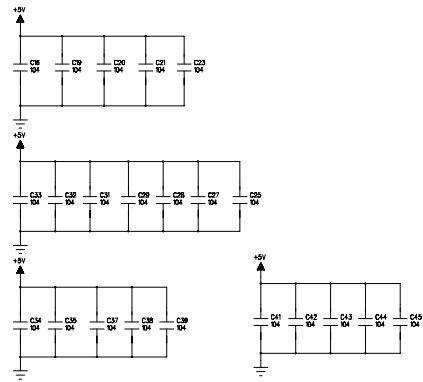
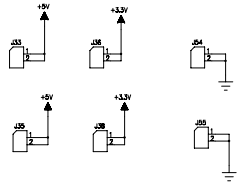
Latest Modified Date :
 K2.0 : Mon, April 21, 2003
 K2.1 : Tue, January 13, 2004

DRAW.	CHKD.	CHKD.	APPD.	TITLE	HERA APPLICATION BOARD 12K
				CODE NO.	
				MODEL NO.	MAIN BOARD
				SHEET	1 / 2 REV. 1.0
				DATE	Mon, Mar. 15, 2006

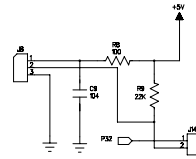
SUB BOARD

REVISION RECORD			
LT#	ECO NO.	APPROVED:	DATE:

[Bypass Capacitor]



[IRDA Circuit]



[TEST BOARD]



Latest Modified Date:
Mon, April 21, 2003

DRAWN	CHKD.	CHKD.	APPD.	TITLE	HERA APPLICATION BOARD K2.0
				CODE NO.	
				MODEL NO.	SUB BOARD 1 / 1
				SHEET	2 / 2 REV. 1.0
GenCore Technology				DATE	Fri., April 18, 2003